

## MULTIFUNCTION GRILLE 150 X 150



Color	White   RR20
Product number	793320
LVI Code	8832000
EAN Code	6410457933204
Weight	Gross: 0.138kg, Net: 0.123kg

Description: The VILPE Multifunction Grille works as a ventilation grille for different types of spaces, and can also be used as an intake or exhaust vent for mechanical ventilation systems. If the product is to be used as a ventilation grille in a natural ventilation system, it is ready for use as it is. In a mechanical ventilation arrangement, an intake or exhaust air duct can be attached to the product--in this case, a duct fitting plate is required in addition to the vent. The ventilation grille can also be fitted with an insect net, which is supplied as an accessory, and it can be opened and locked for cleaning with an easy lock mechanism. The unique airflow design of the Multifunction Grille results in a large cross-sectional area in both directions of flow and good water/snow shedding properties. The pressure loss of the new Multifunction Grille is the smallest of any on the market for both intake and exhaust air. Effective area 84,5 cm<sup>2</sup>. When used in a mechanical ventilation system, a Ø 60 or 100 mm duct fitting plate is required.

Dimensions: 150 x 150 mm.

Contents: Multifunction grille, 6 mm plugs, screws.

---

### Vilpe Oy Ab

Kauppatie 9, FI-65610 Mustasaari  
Telephone +358 20 123 3200

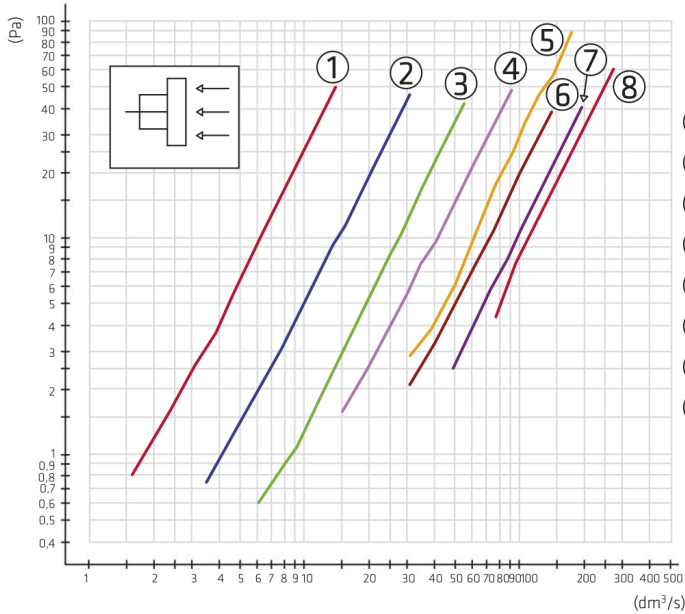
06.06.2023

Sales & Technical Support | FI +358 20 123 3233 | EN +358 20 123 3222 | RU +358 20 123 3290 | SE +46 70 511 2020 | PL +48 71 740 2623  
myynti@sktuote.fi | sales@sktuote.fi

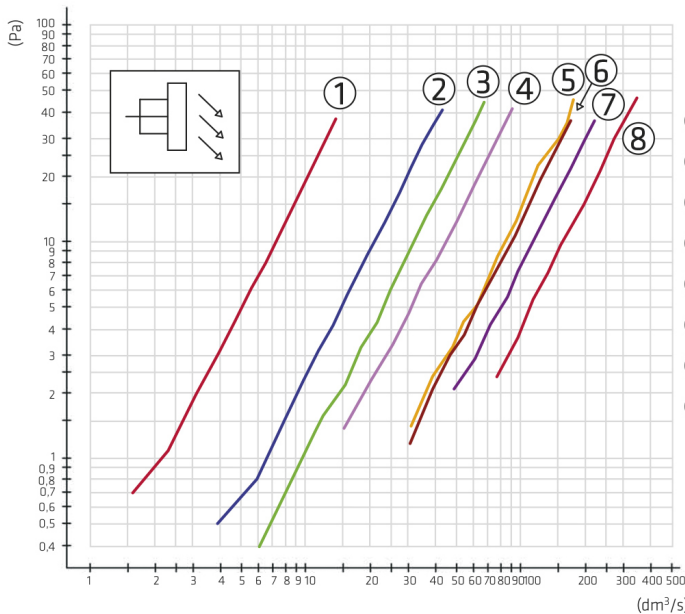
FI: Pidätämme oikeuden muutoksiin ilman ennakkoilmoitusta.  
SE: Vi reserverar oss för eventuella ändringar och fel i produktinformationen.  
EN: We reserve the right to change these terms and conditions at any time.

RU: Мы оставляем за собой право на внесение изменений без предварительного уведомления.  
PL: Zachowujemy prawo do zmian bez wcześniejszej informacji.  
DE: Technische Änderungen behalten wir uns ohne vorherige Ankündigung vor.

## MULTIFUNCTION GRILLE 150 X 150



150 x 150 mm	Ø 60 Ø 100
240 x 240 mm	Ø 125 Ø 160 Ø 200 II
375 x 375 mm	Ø 200 I Ø 250 Ø 315



### Viilpe Oy Ab

Kauppatie 9, FI-65610 Mustasaari  
 Telephone +358 20 123 3200

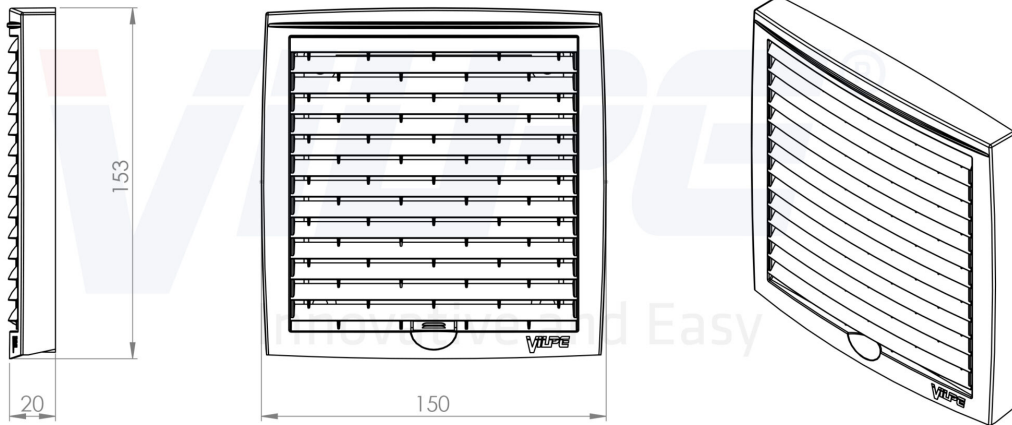
06.06.2023

Sales & Technical Support | FI +358 20 123 3233 | EN +358 20 123 3222 | RU +358 20 123 3290 | SE +46 70 511 2020 | PL +48 71 740 2623  
 myynti@sktuote.fi | sales@sktuote.fi

FI: Pidätämme oikeuden muutoksiin ilman ennakkoilmoitusta.  
 SE: Vi reserverar oss för eventuella ändringar och fel i produktinformationen.  
 EN: We reserve the right to change these terms and conditions at any time.

RU: Мы оставляем за собой право на внесение изменений без предварительного уведомления.  
 PL: Zachowujemy prawo do zmian bez wcześniejszej informacji.  
 DE: Technische Änderungen behalten wir uns ohne vorherige Ankündigung vor.

## MULTIFUNCTION GRILLE 150 X 150



Copyright © 2014 SK Tuote Oy. All rights reserved.

### Vilpe Oy Ab

Kauppatie 9, FI-65610 Mustasaari  
Telephone +358 20 123 3200

06.06.2023

Sales & Technical Support | FI +358 20 123 3233 | EN +358 20 123 3222 | RU +358 20 123 3290 | SE +46 70 511 2020 | PL +48 71 740 2623  
myynti@sktuote.fi | sales@sktuote.fi

FI: Pidätämme oikeuden muutoksiin ilman ennakoilmoitusta.  
SE: Vi reserverar oss för eventuella ändringar och fel i produktinformationen.  
EN: We reserve the right to change these terms and conditions at any time.

RU: Мы оставляем за собой право на внесение изменений без предварительного уведомления.  
PL: Zachowujemy prawo do zmian bez wcześniejszej informacji.  
DE: Technische Änderungen behalten wir uns ohne vorherige Ankündigung vor.

## MULTIFUNCTION GRILLE 150 X 150



### Vilpe Oy Ab

Kauppatie 9, FI-65610 Mustasaari  
Telephone +358 20 123 3200

06.06.2023

Sales & Technical Support | FI +358 20 123 3233 | EN +358 20 123 3222 | RU +358 20 123 3290 | SE +46 70 511 2020 | PL +48 71 740 2623  
myynti@sktuote.fi | sales@sktuote.fi

FI: Pidätämme oikeuden muutoksiin ilman ennakoilmoitusta.  
SE: Vi reserverar oss för eventuella ändringar och fel i produktinformationen.  
EN: We reserve the right to change these terms and conditions at any time.

RU: Мы оставляем за собой право на внесение изменений без предварительного уведомления.  
PL: Zachowujemy prawo do zmian bez wcześniejszej informacji.  
DE: Technische Änderungen behalten wir uns ohne vorherige Ankündigung vor.